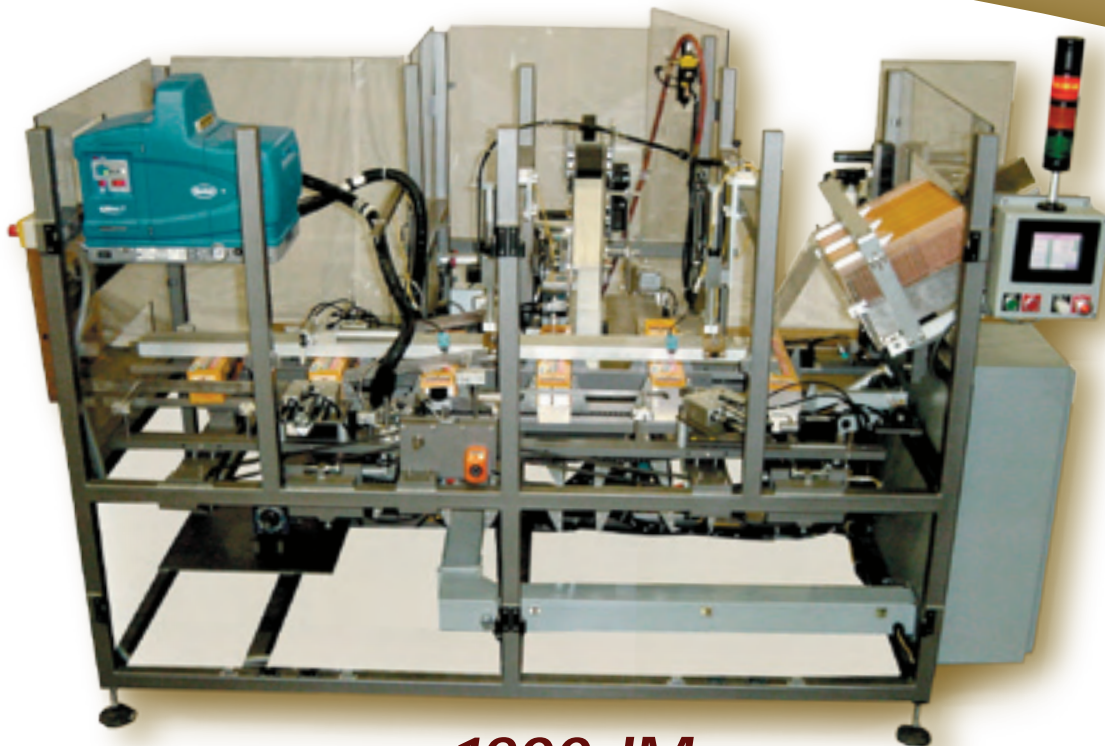


TPMI

C O R P O R A T I O N

Producing standard and custom automation equipment for the food, pharmaceutical, and manufacturing industries.



1200-IM

Compact Intermittent Motion Cartoner

Pouch Collating Infeed Options:

- Product Orientation
- Counting
- Stacking
- Collating

Construction Options:

- Stainless Steel
- Painted Mild Steel

Up to 50 Cartons Per Minute

Cartoning • Casepacking • Automation • Custom Designs

TPMI CORPORATION

6520 Edenvale Blvd. Suite 104B • Eden Prairie, MN 55346
P. 952.974.3805 • F. 952.974.0028 • www.tpmicorp.com

1200-IM Compact Intermittent Motion Cartoner

The new Compact Intermittent Motion Cartoner from TPMI has all of the features you need in a compact cartoner:

STANDARD FEATURES:

- 1. CAPTURED FLIGHT CHAIN**
Keeps carton square during loading and sealing.
- 2. #50 CHAIN**
For extended life.
- 3. MAIN DRIVE INDEXING SERVO**
For smooth precise indexing moves.
- 4. OVERHEAD & PULL DOWN STYLE CARTON ERECTING**
For positive carton erecting.
- 5. SMALL FOOTPRINT**
Only 8'8" long overall length.

OPTIONAL EQUIPMENT:

TOUCH SCREEN CONTROL

Includes the following:

- low glue warnings
- glue not up to temperature
- glue timing with skip pattern

POWERED MAGAZINE

Includes the following:

- low magazine warning

OPEN FLAP DETECTION AND REJECT

INFEEED CONVEYOR

CASTERS FOR MOBILITY



Photo 1 Custom Infeed

NOTE: NOT TO SCALE

ELECTRICAL REQUIREMENTS:

208v or 230v
3-phase power

CARTON SPEED:

up to 50 cartons
per minute

CARTON SIZE RANGE:

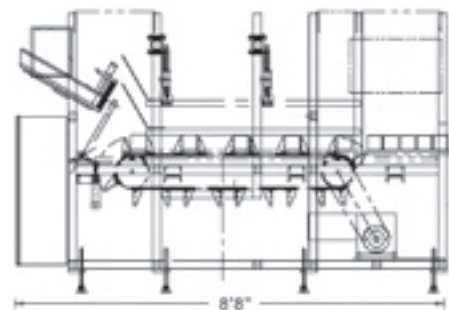
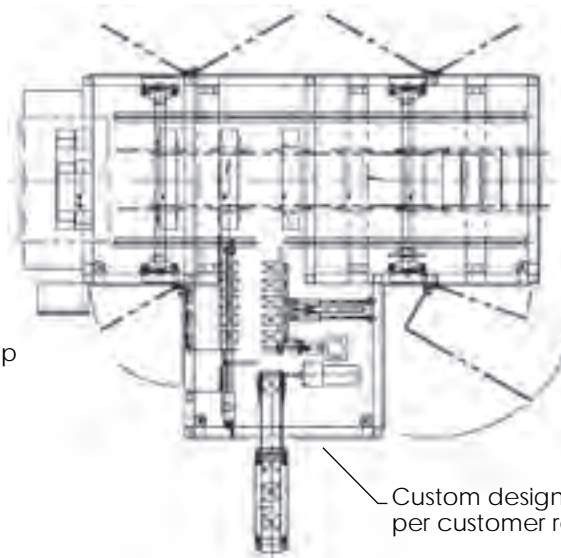
consult factory

VACUUM SOURCE:

low noise vacuum pump
or venturi style

CONSTRUCTION:

mild steel painted
or stainless steel



Custom designed infeed / collator
per customer requirements.

Cartoning • Casepacking • Automation • Custom Designs

TPMI CORPORATION

6520 Edenvale Blvd. Suite 104B • Eden Prairie, MN 55346
P. 952.974.3805 • F. 952.974.0028 • www.tpmicorp.com